

Konecranes RMG:  
a concept,  
not just a crane



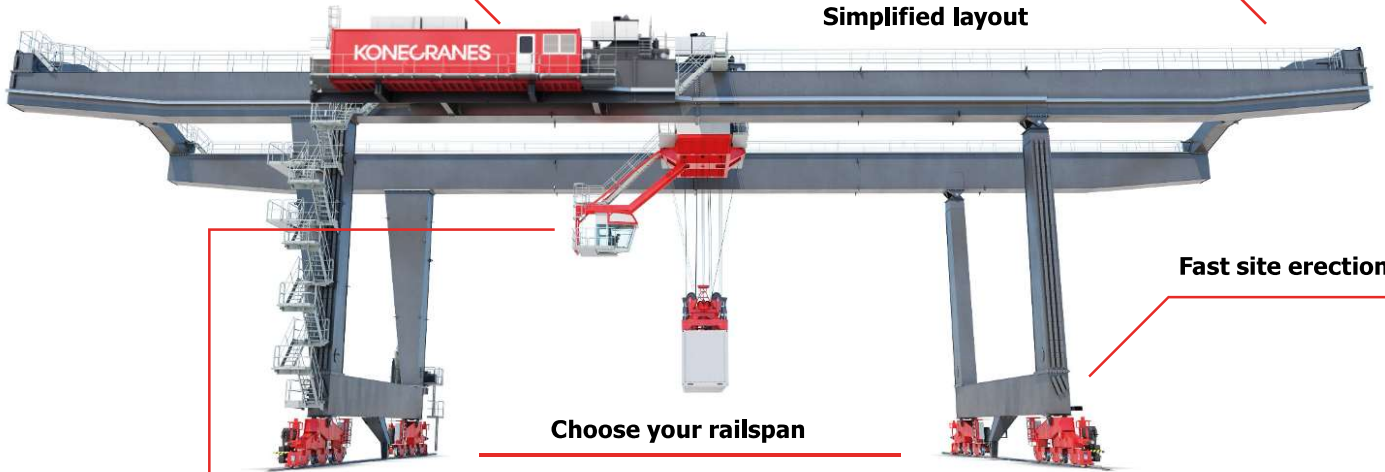
## Modular

# With variants & options + customer-specific features

**E-room and transformer room  
combined in one container space**

**Choose your operating width**

**Simplified layout**



**Fast site erection**

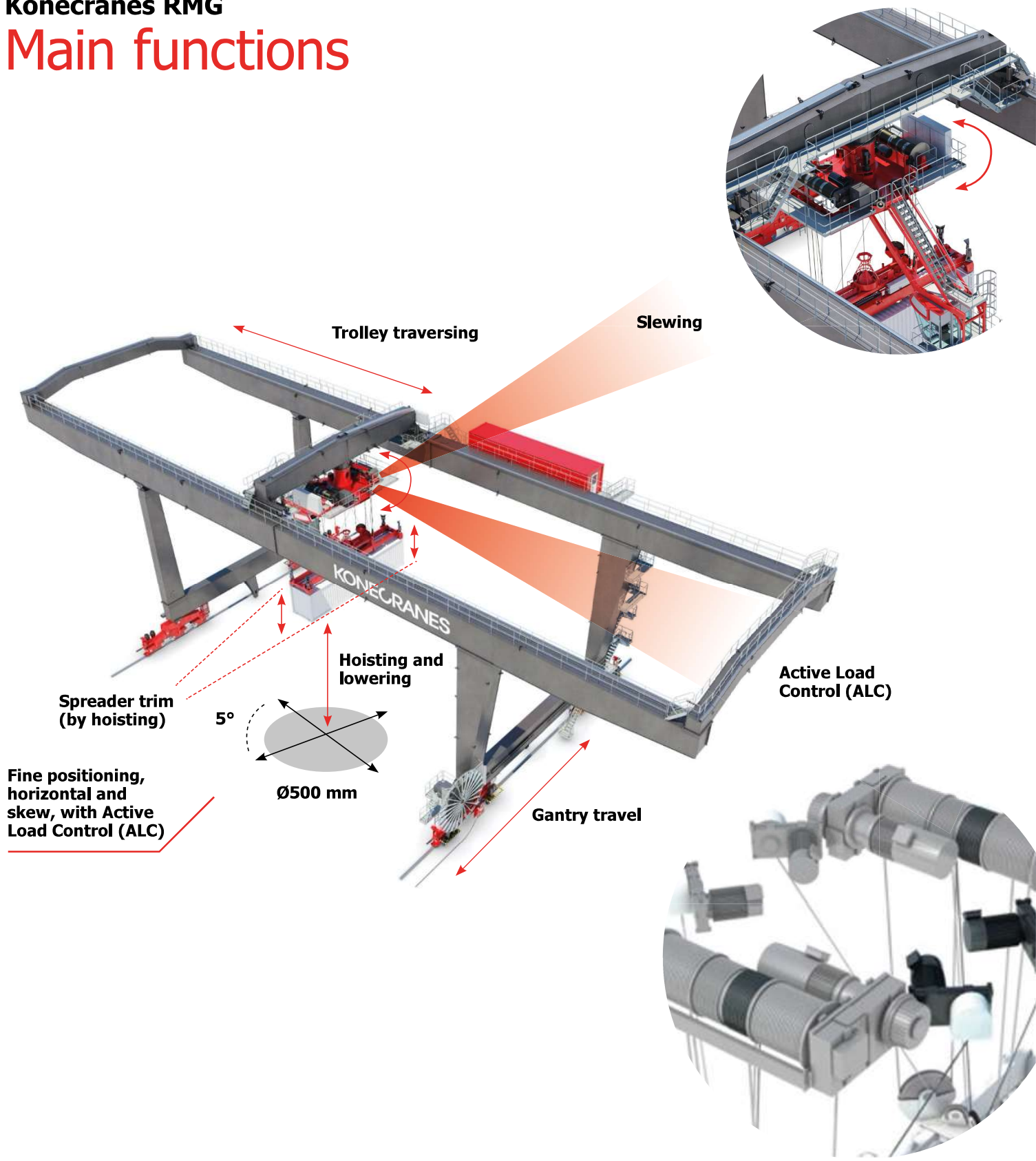
**Choose your railspace**



**Cabin  
in position optimized for  
intermodal**

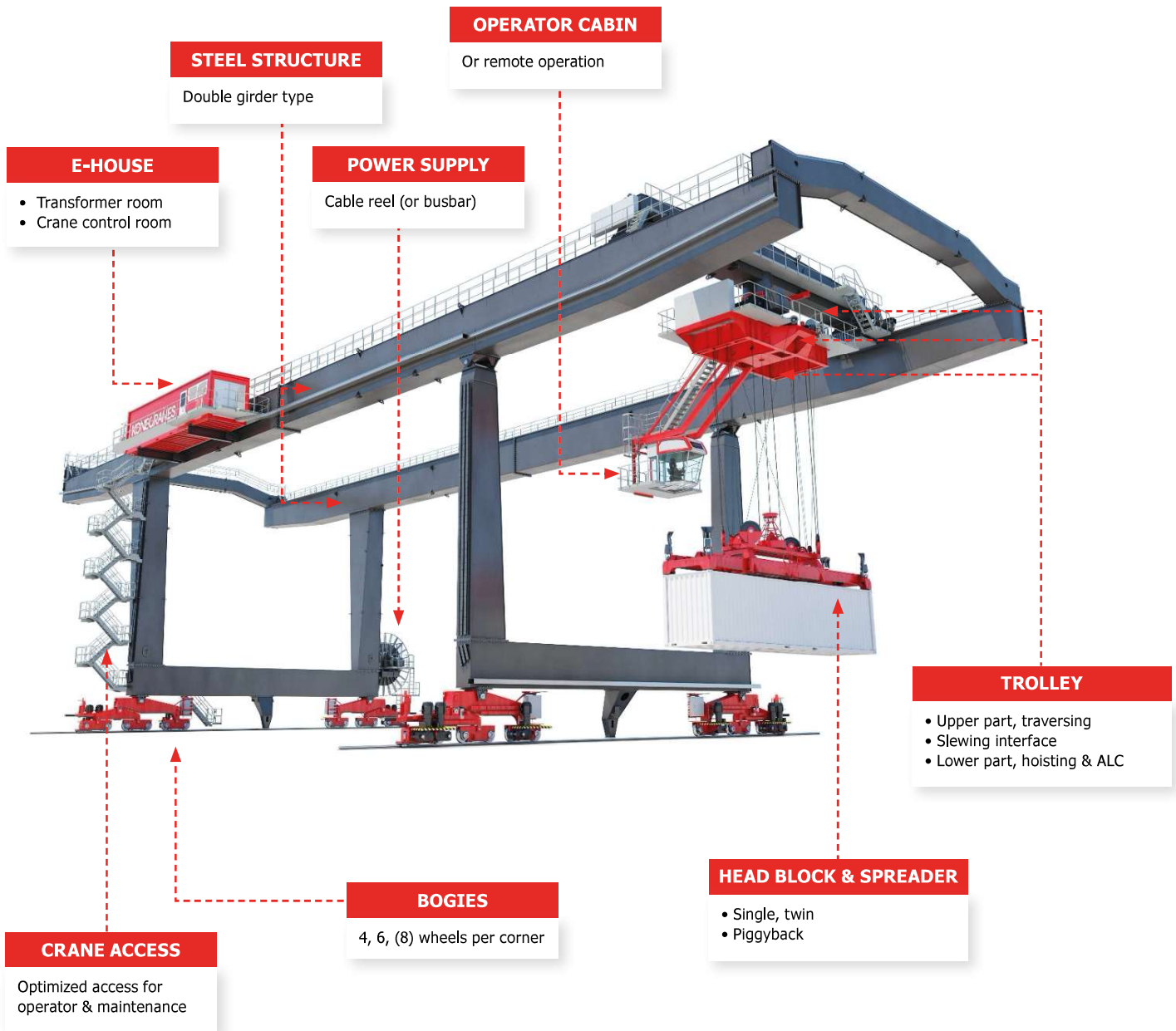
(Best view to rails)

# Konecranes RMG Main functions

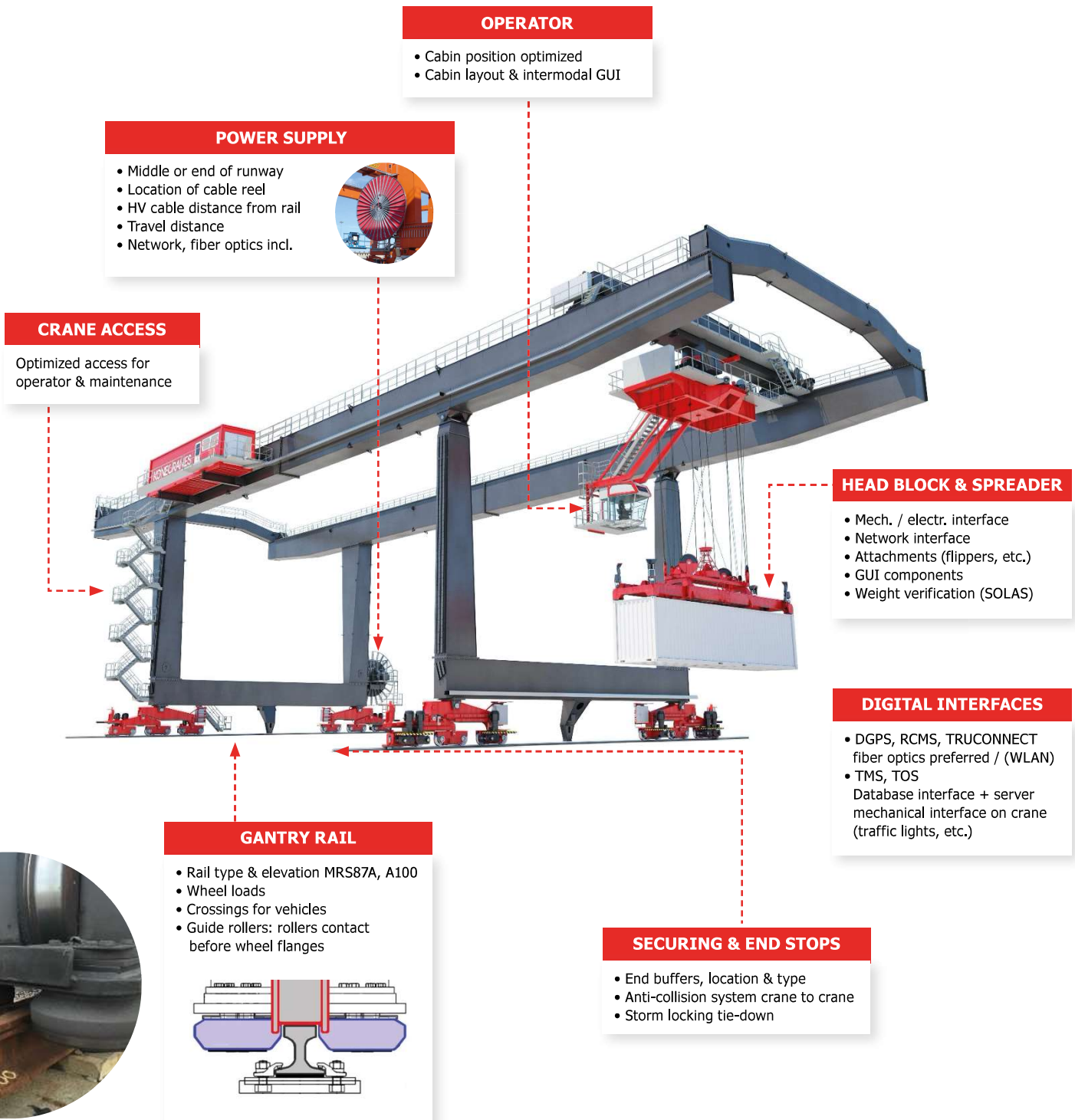


# Konecranes RMG

## Main modules



# Konecranes RMG Main interfaces



**OPERATOR**

- Cabin position optimized
- Cabin layout & intermodal GUI

**POWER SUPPLY**

- Middle or end of runway
- Location of cable reel
- HV cable distance from rail
- Travel distance
- Network, fiber optics incl.



**CRANE ACCESS**

Optimized access for operator & maintenance

**HEAD BLOCK & SPREADER**

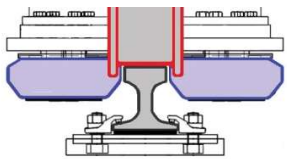
- Mech. / electr. interface
- Network interface
- Attachments (flippers, etc.)
- GUI components
- Weight verification (SOLAS)

**DIGITAL INTERFACES**

- DGPS, RCMS, TRUCONNECT fiber optics preferred / (WLAN)
- TMS, TOS Database interface + server mechanical interface on crane (traffic lights, etc.)

**GANTRY RAIL**

- Rail type & elevation MRS87A, A100
- Wheel loads
- Crossings for vehicles
- Guide rollers: rollers contact before wheel flanges



**SECURING & END STOPS**

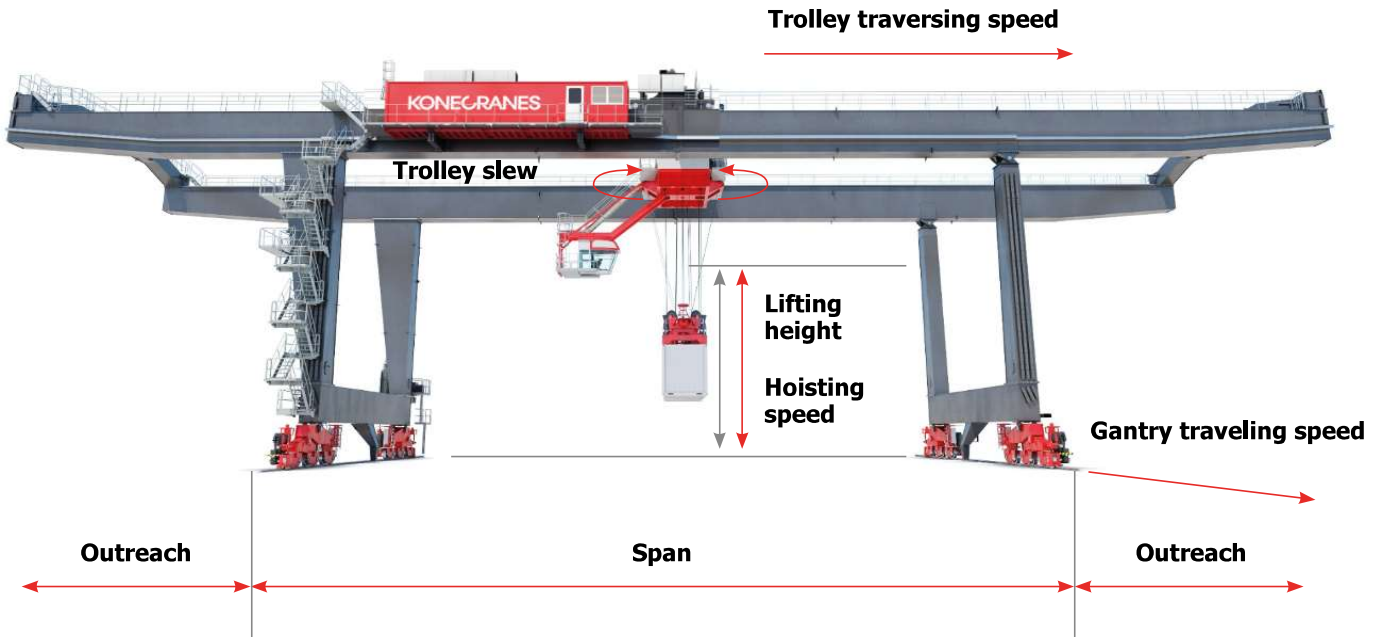
- End buffers, location & type
- Anti-collision system crane to crane
- Storm locking tie-down



# Konecranes RMG

## Main parameters

With Konecranes RMG and RTG cranes you can start with manual operation and then get on the path to automation as you desire. You can add Smart Features as retrofits, all the way up to full automation.

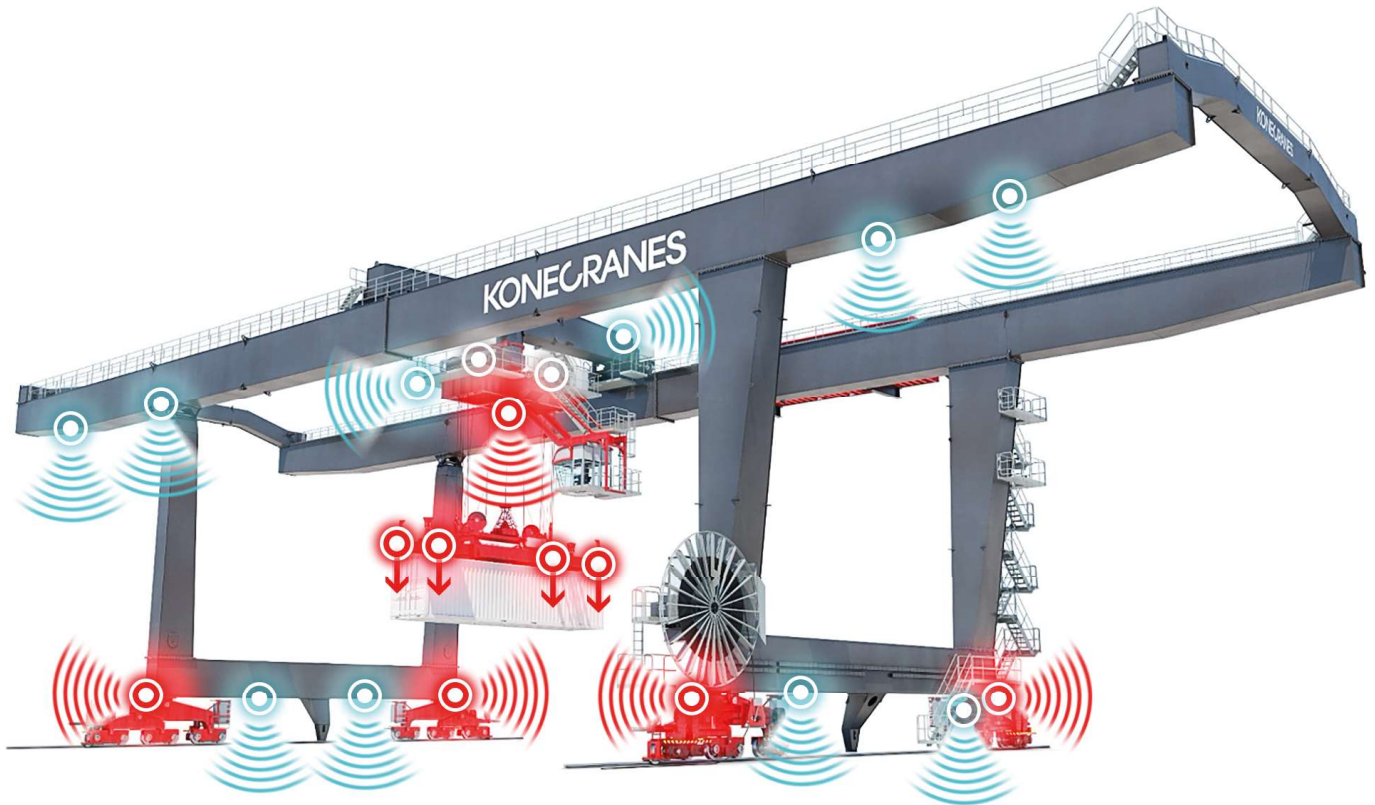


<b>Span</b>	Max. 48 000	<b>Hoisting speed</b>	30 - 45 m/min (loaded) 60 - 90 m/min (empty)
<b>Outreaches (cantilevers)</b>	Max. 2 x 18 000	<b>Trolley slewing speed /slewing angle</b>	1,6 - 2,0 rpm / 310 ° Rotator in spreader
<b>Lifting height</b>	Max. 9 000 (1 over 5)	<b>Trolley traversing speed</b>	120 - 150 m/min
<b>Capacity</b>	40 - 50 t (STD) Max. 45 t (STD), with grapple arms Max. 65 t (HD), twin-lift	<b>Gantry traveling speed</b>	120 - 150 m/min

# KONECRANES

## Graphical user interface (GUI)

# Clearest view in all directions



### A/V component locations

- PTZ camera in the trolley
- 4 fixed cameras in the spreader
- 4 fixed cameras on the bogies
- Microphone in the operator's cabin
- Loudspeaker on the trolley

+

Multiple optional cameras



Smarter cabin

## Intermodal automation

# Remote Operating Station (ROS)

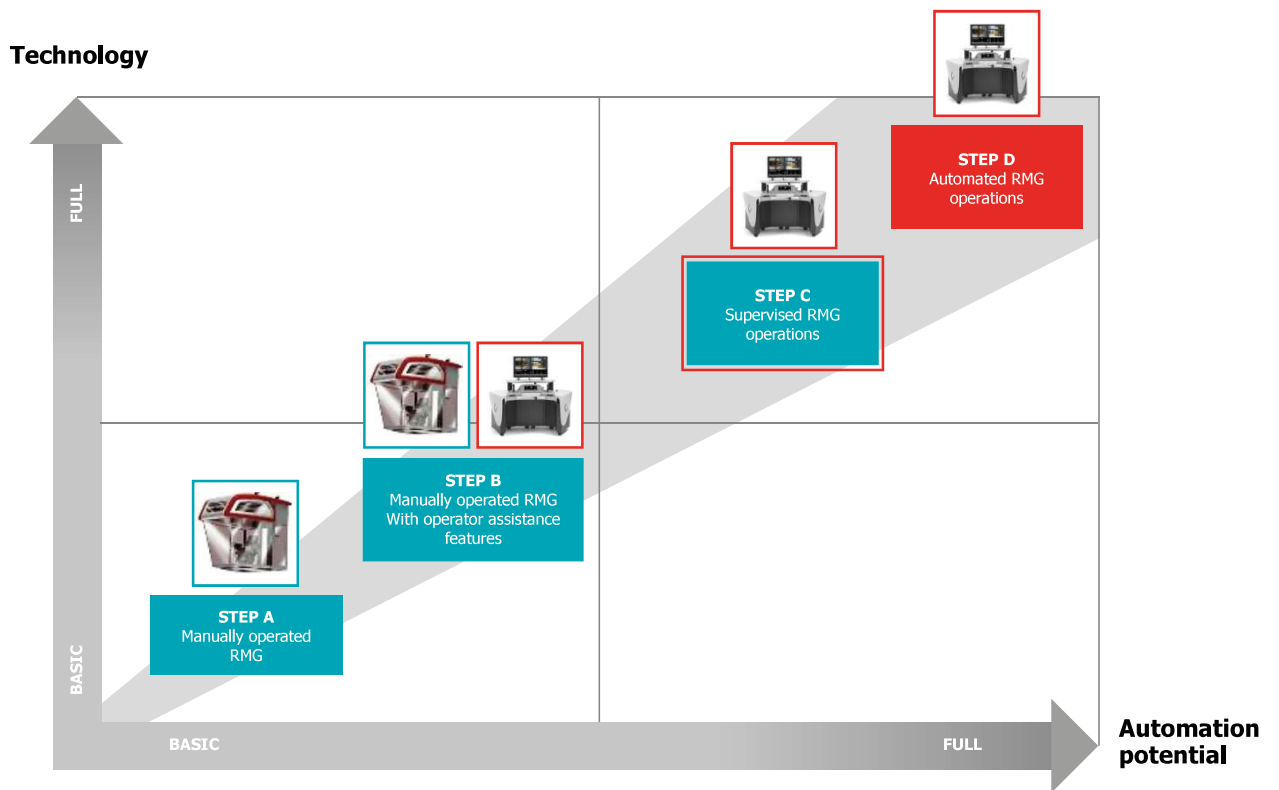
- 38" wide screen
- 10" touchpanel
- 2 joysticks
- Headset
- Adjustable height for table and screen





# Intermodal automation Growth path

The Konecranes RMG can be gradually upgraded from a manual crane to having advanced operator assistance features and ultimately up to full ARMG with the operator intervening only in exceptional situations.





## Our offering

# For intermodal terminal evolution

### Consulting

- Terminal design (simulation)
- Terminal conversion
- Implementation support (emulation)

### Equipment

- RTG, ARTG, RMG and ARMG cranes
- Horizontal transport
- Lift trucks
- Automation growth path included
- Full automation
- All-electric

### Software

- Terminal Operating System (TOS)
- Equipment Control System (ECS)
- Remote operations
- Access control
- IT maintenance and support

### Service

- Field service and spare parts
- Retrofits and upgrades
- Digital services  
e.g. remote monitoring of equipment and operating data (telematics)
- Optimization support  
(performance improvement)
- Consulting

**Konecranes is a world-leading group of Lifting Businesses™, serving a broad range of customers, including manufacturing and process industries, shipyards, ports and terminals. Konecranes provides productivity enhancing lifting solutions as well as services for lifting equipment of all makes. In 2019, Group sales totaled EUR 3.33 billion. Including MHE-Demag, the Group has around 18,000 employees in 50 countries. Konecranes shares are listed on the Nasdaq Helsinki (symbol: KCR).**

© 2021 Konecranes. All rights reserved. 'Konecranes', 'Lifting Businesses' and  are either registered trademarks or trademarks of Konecranes.

This publication is for general informational purposes only. Konecranes reserves the right at any time, without notice, to alter or discontinue the products and/or specifications referenced herein. This publication creates no warranty on the part of Konecranes, express or implied, including but not limited to any implied warranty or merchantability or fitness for a particular purpose.

